



WISDOM INDUSTRIES, Ltd.

SERVICE BULLETIN

DATE: AUGUST 4, 2021
RIDES: SIZZLER, SUPER SIZZLER, AND DELUXE SIZZLER
SUBJECT: INSTALLATION OF SEAT BELTS
COMPLIANCE: IMMEDIATE

In past years, there have been incidents of patrons coming out of their seats in various Sizzler models. Proper ride maintenance and operations per the Wisdom Operating Manual and Service Bulletins is critical to maintaining patron safety. In an effort to increase patron safety, we are expanding the previous bulletins (August 1, 2007 Installation of Seat Belts for Sizzler and Re-issue on June 15, 2017 Installation of Seat Belts for Sizzler/Deluxe Sizzler) and will be requiring seat belts to include all Sizzler models. This bulletin supersedes all previous bulletins regarding the installation of seat belts on the rides identified.

It is now mandatory that SEAT BELTS be installed on all Sizzler, Super Sizzler, and Deluxe Sizzler rides.

Please be aware that seat belts must be properly installed to:

- a) Be effective
- b) Not damage the seats
- c) To avoid any compromise, of the integrity, of the seat and other restraint devices and/or any other component of the Sizzler.

Ride Parts has pre-sized automotive style seat belts available for your Sizzler ride. After you order the seat belts, and the parts are delivered, please read and follow the instructions carefully.

Due to exposure to dirt, weather, moisture and debris, the latching mechanisms must be checked daily to ensure proper operation.

Continue to perform all periodic inspections per the Wisdom Operating Manual and the Service Bulletins that have been issued. For all replacement parts, use all materials and parts, including the size, as is specified by Wisdom Manufacturing Manual.

If you have any questions or comments, please do not hesitate to contact a Wisdom representative at 800-634-6097 or 970-522-7515 option 2.

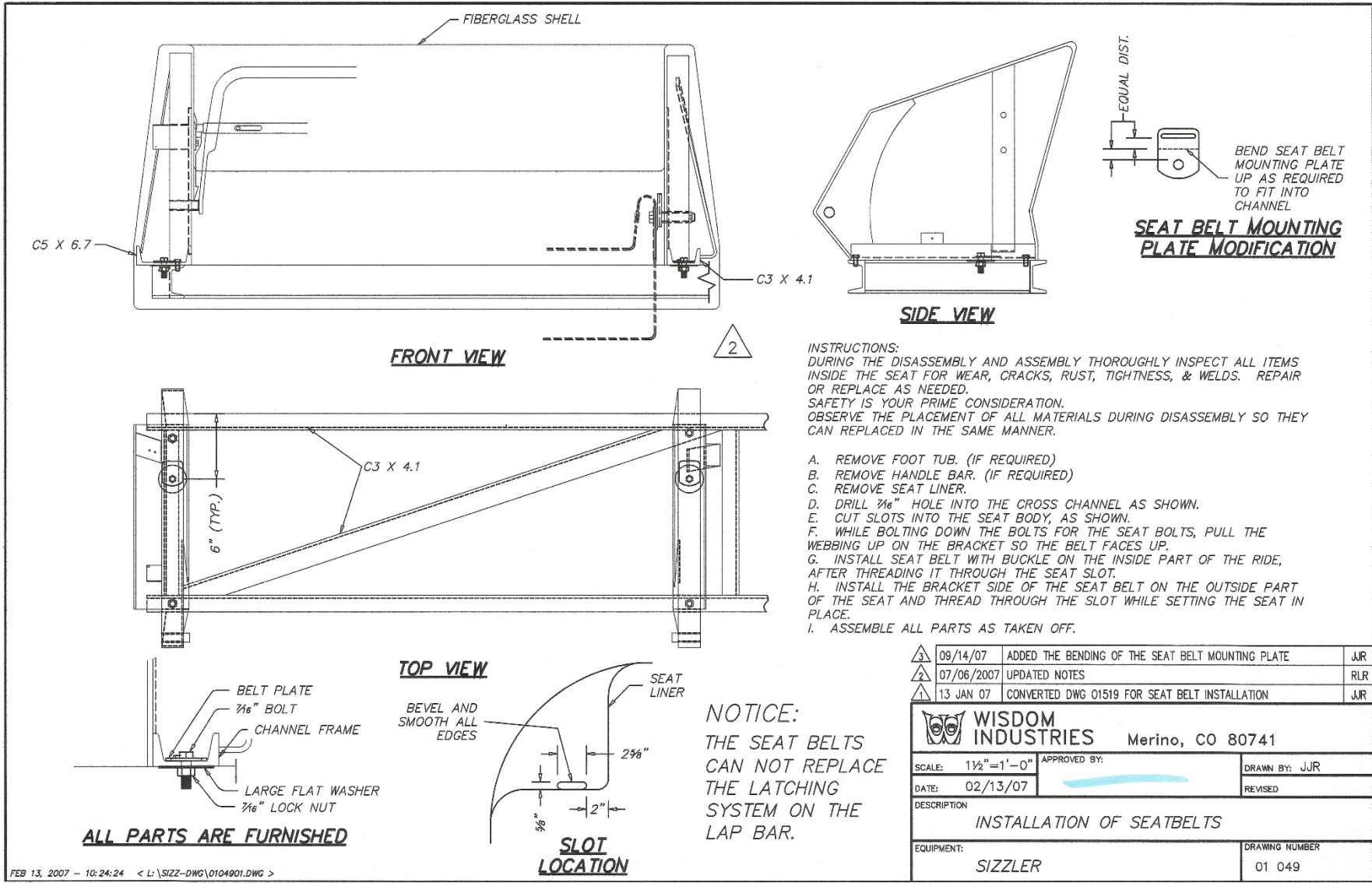
SEAT BELT INSTALLATION INSTRUCTION FOR SIZZLER MODEL:

1. Remove seat liner and quarter panel.
2. Drill a 7/16 inch diameter hole in each seat iron lower channel. (Refer to attached drawing.
3. Bolt the seat belt mounting bracket for the buckle end of the belt to the outside seat iron using one 7/16 inch diameter grade 5 bolt and locknut.
4. Cut a 1/2 inch high by 2 inch wide slot at the lower back corner of the large seat liner section.
5. Slide the seat belt bracket for the tongue end of the belt into the slot and bolt to the seat iron using a 7/16 inch grade 5 bolt and locknut.
6. Install the large section of seat liner using 3/16 pop rivets or threaded fasteners into the seat.

► **NOTE:** Make sure that the seat belt is not pinched or cut during the installation.

7. Install the quarter panel section of the seat liner into place. Notch the corner where the seat belt pulls through the gap between the two seat liner pieces.
8. Round any edges that may cut the belt.
9. Install the seat lock brass.
10. Test the seat lock for proper operation.

See the attached drawing (Page 3) for specifications on the seat belt installation on Sizzler models.



EQUAL DIST.

BEND SEAT BELT MOUNTING PLATE UP AS REQUIRED TO FIT INTO CHANNEL

SEAT BELT MOUNTING PLATE MODIFICATION

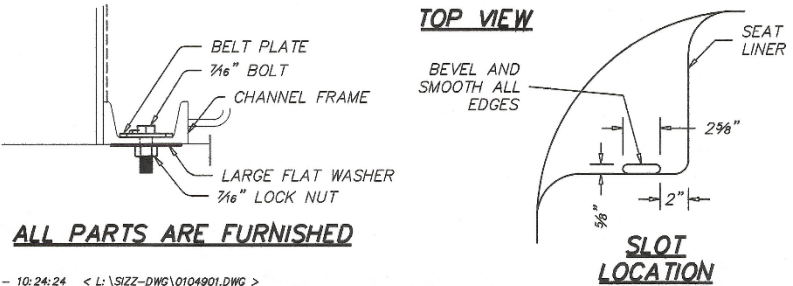
INSTRUCTIONS:
 DURING THE DISASSEMBLY AND ASSEMBLY THOROUGHLY INSPECT ALL ITEMS INSIDE THE SEAT FOR WEAR, CRACKS, RUST, TIGHTNESS, & WELDS. REPAIR OR REPLACE AS NEEDED.
 SAFETY IS YOUR PRIME CONSIDERATION. OBSERVE THE PLACEMENT OF ALL MATERIALS DURING DISASSEMBLY SO THEY CAN BE REPLACED IN THE SAME MANNER.

- A. REMOVE FOOT TUB. (IF REQUIRED)
- B. REMOVE HANDLE BAR. (IF REQUIRED)
- C. REMOVE SEAT LINER.
- D. DRILL 1/16" HOLE INTO THE CROSS CHANNEL AS SHOWN.
- E. CUT SLOTS INTO THE SEAT BODY, AS SHOWN.
- F. WHILE BOLTING DOWN THE BOLTS FOR THE SEAT BOLTS, PULL THE WEBBING UP ON THE BRACKET SO THE BELT FACES UP.
- G. INSTALL SEAT BELT WITH BUCKLE ON THE INSIDE PART OF THE RIDE, AFTER THREADING IT THROUGH THE SEAT SLOT.
- H. INSTALL THE BRACKET SIDE OF THE SEAT BELT ON THE OUTSIDE PART OF THE SEAT AND THREAD THROUGH THE SLOT WHILE SETTING THE SEAT IN PLACE.
- I. ASSEMBLE ALL PARTS AS TAKEN OFF.

09/14/07	ADDED THE BENDING OF THE SEAT BELT MOUNTING PLATE	JJR
07/08/2007	UPDATED NOTES	RLR
13 JAN 07	CONVERTED DWG 01519 FOR SEAT BELT INSTALLATION	JJR

WISDOM INDUSTRIES		Merino, CO 80741	
SCALE: 1 1/2" = 1'-0"	APPROVED BY:	DRAWN BY: JJR	
DATE: 02/13/07		REVISED	
DESCRIPTION INSTALLATION OF SEATBELTS			
EQUIPMENT: SIZZLER	DRAWING NUMBER 01 049		

NOTICE:
 THE SEAT BELTS CAN NOT REPLACE THE LATCHING SYSTEM ON THE LAP BAR.



ALL PARTS ARE FURNISHED

FEB 13, 2007 - 10:24:24 < L:\SIZZ-DWG\0104901.DWG >

SEAT BELT INSTALLATION INSTRUCTION FOR SUPER AND DELUXE SIZZLER MODELS:

SUPER SIZZLER SEATBELT INSTALLATION

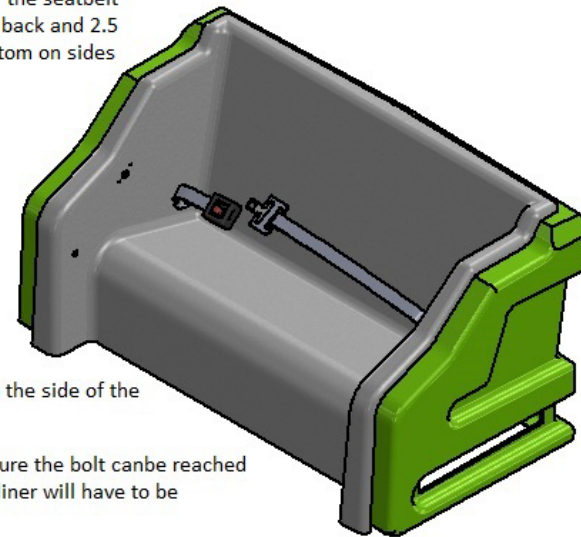
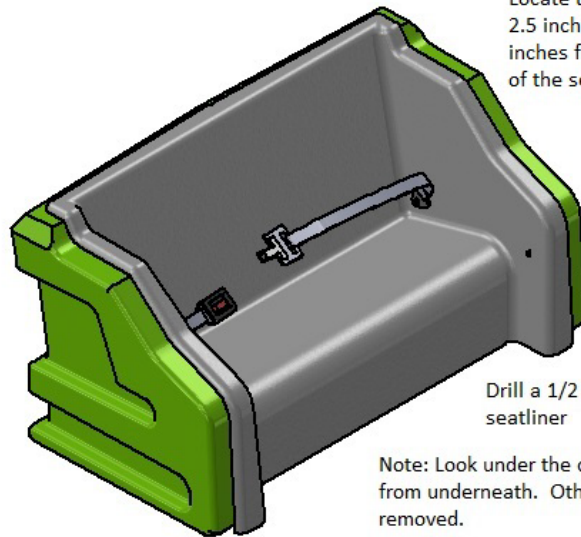
Use the pushbutton style seatbelt operator
Do not use the flip release belt or the two prong plastic belt connector

the Super Sizzler and Deluxe Sizzler have a one piece seat liner and the seatbelt installation is the same.

The seatbelt can be fastened the fiberglass seat liner without being fastened to the steel structure of the seat frame.

The short end of the belt (the buckle end) fastens to the right side of the seatliner facing the front of the car

Locate the holes for the seatbelt
2.5 inches from the back and 2.5 inches from the bottom on sides of the seatliner



Drill a 1/2 inch hole in the side of the seatliner

Note: Look under the car, Make sure the bolt can be reached from underneath. Otherwise the liner will have to be removed.

Install a 1/2 inch grade 5 bolt through metal end of the belt then through the fiberglass.

Place a 1/2 inch fender washer and lock nut on the bolt.

Tighten the bolt and nut.

Install the tongue end of the belt to the opposite side of the seatliner in the same manner